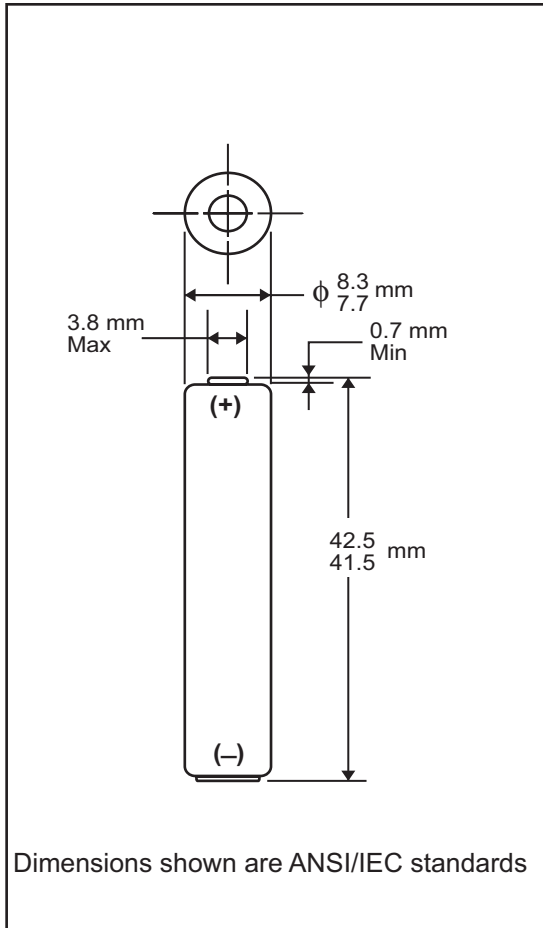
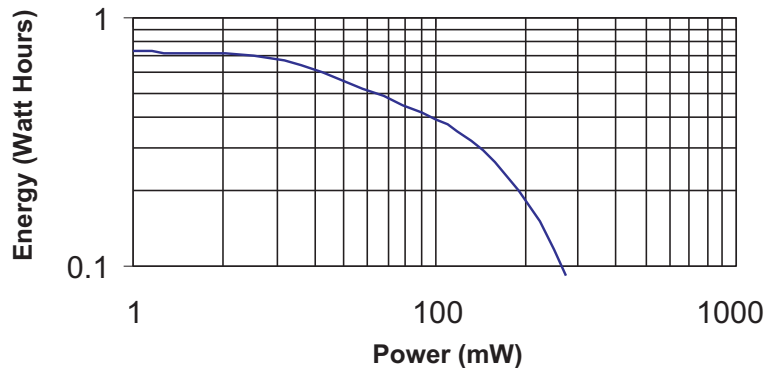


Alkaline-Manganese Dioxide Battery

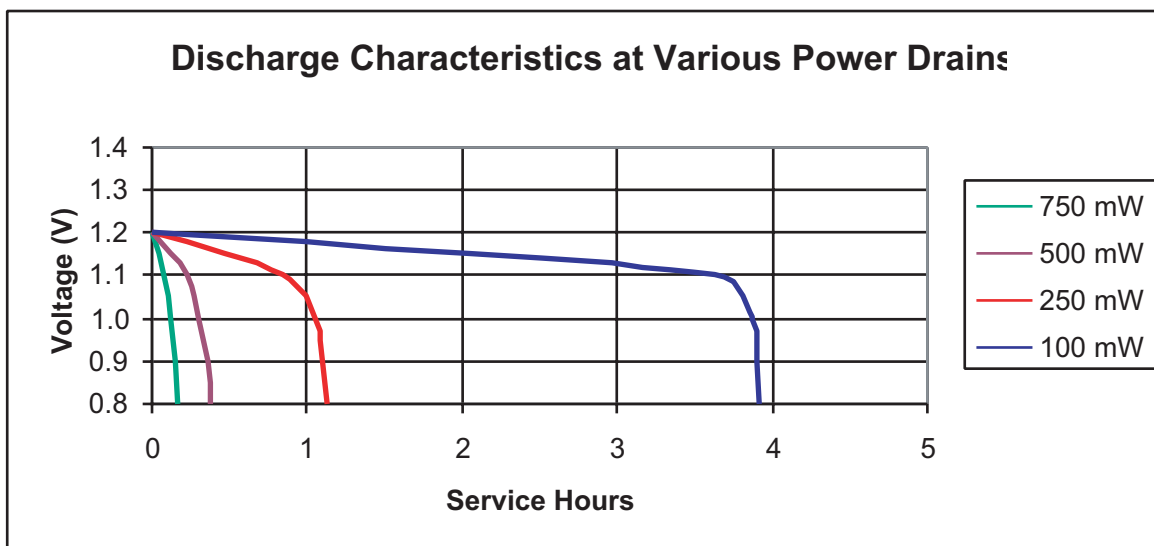


Nominal Voltage:	1.5 V
Nominal Internal Impedance:	240 m-ohm @ 1KHz
Nominal Weight:	6.0 g
Nominal Volume:	2.02 cm. ³
Terminals:	Flat
Operating Temp. Range:	-20°C to 54°C
NEDA / ANSI:	25A
IEC:	LR8D425

Delivered Energy vs Power Drain
@20° C to 1.0 Volts



Discharge Characteristics at Various Power Drains



* Delivered capacity is dependent on the applied load, operating temperature and cut-off voltage. Please refer to the charts and discharge data shown for examples of the energy / service life that the battery will provide for various load conditions.



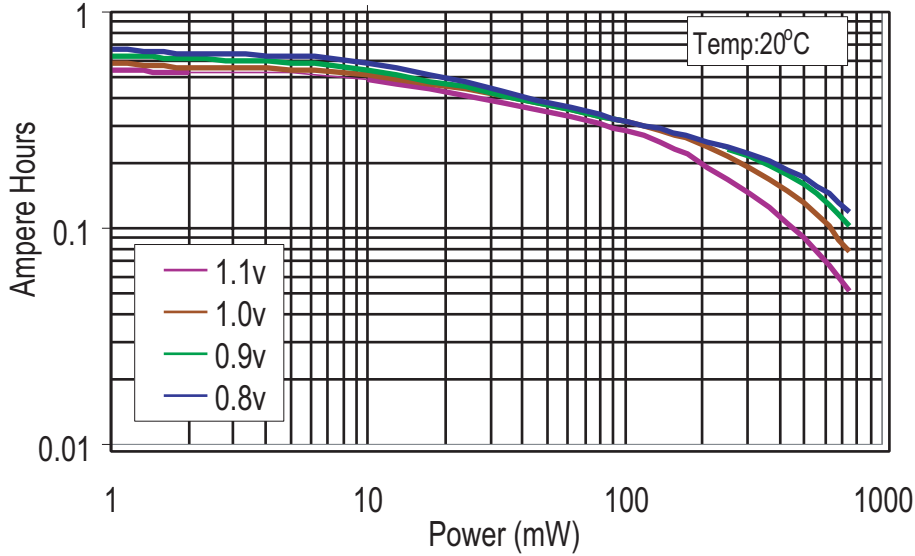
MX2500

Size: AAAA

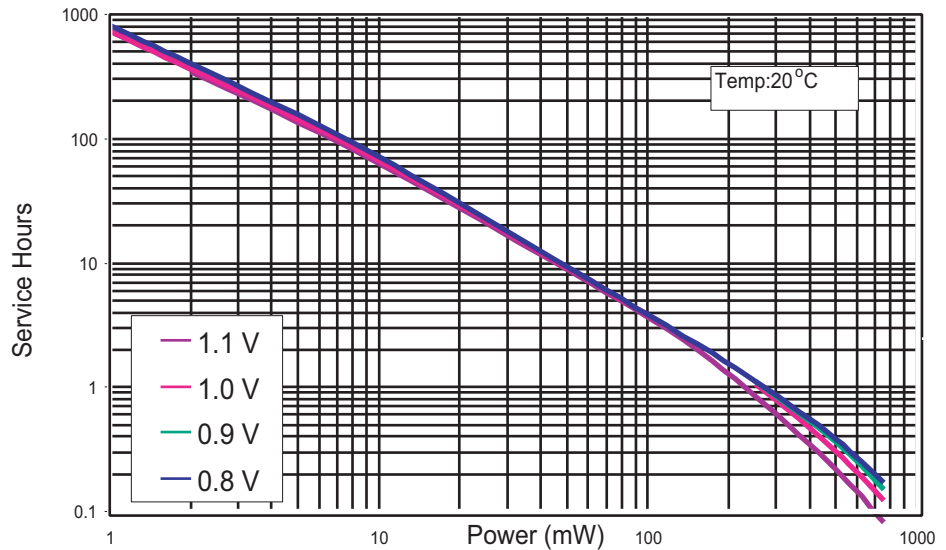
Zn/MnO₂

Alkaline-Manganese Dioxide Battery

Delivered Capacity vs Power Drain At Various Cut-off Voltages



Service Hours vs Power Drain



DURACELL®

BATTERIES

Berkshire Corporate Park
Bethel, CT 06801 U.S.A.
Telephone: Toll-free 1-800-544-5454
Internet: www.duracell.com

* Delivered capacity is dependent on the applied load, operating temperature and cut-off voltage. Please refer to the charts and discharge data shown for examples of the energy / service life that the battery will provide for various load conditions.