

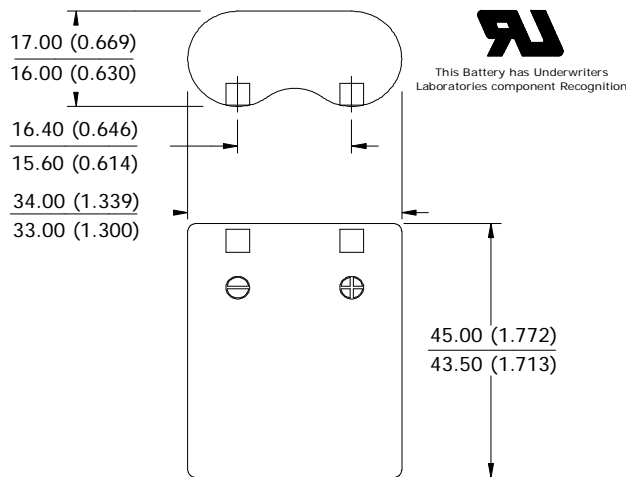
ENERGIZER 2CR5

(EL2CR5)



Industry Standard Dimensions

mm (inches)



This Battery has Underwriters Laboratories component Recognition

This battery contains a Positive Temperature Coefficient (PTC) safety device to limit current during short circuit conditions.

Simulated Application Tests

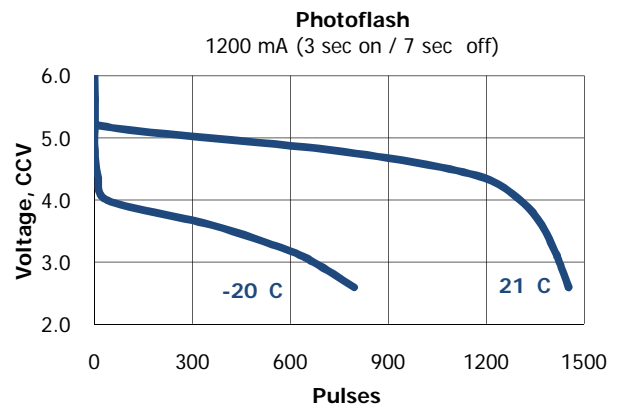
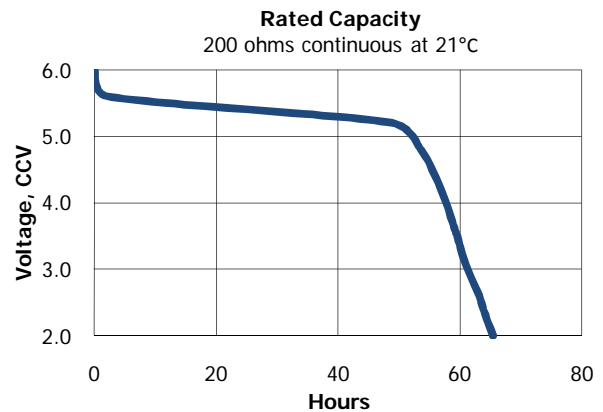
Typical Use Performance

Type (time)	Drain (mA)	Load (ohms)	Cutoff Voltage		
			4.0V (21°C) (hours)	3.6V (21°C) (pulses)	3.1V (21°C) (pulses)
Capacity (continuous)	---	200	58	---	---
Photoflash (3 / 27 sec)	900	---	---	---	2000
Photoflash (3 / 7 sec)	1200	---	---	1370	---
Photoflash (3 / 7 sec)	1800	---	---	860	---

Specifications

Classification:	"Lithium"
Chemical System:	Lithium / Manganese Dioxide (Li/MnO ₂)
Designation:	ANSI-5032LC, IEC-2CR5
Nominal Voltage:	6.0 Volts
Storage Temp:	-40°C to 60°C (-40°F to 140°F)
Operating Temp:	-40°C to 60°C (-40°F to 140°F)
Typical Capacity:	1500 mAh (to 2.0 volts) (Rated at 200 ohms at 21°C)
Typical Weight:	40 grams (1.4 oz.)
Typical Volume:	26 cubic centimeters (1.6 cubic inch)
Max Discharge:	1500 mA continuous (3500 mA pulse)
Max Rev Current:	2 uA
Typical Li Content:	1.15 grams (0.041 oz.)
UL Listed:	MH12454
Shipping:	For complete details, please reference: Global (except US): Special Provision A45 of the International Air Transport Association Dangerous Goods Regulations United States: 49 CFR 173.185

Typical Discharge Characteristics



Important Notice

This datasheet contains typical information specific to products manufactured at the time of its publication.
©Energizer Holdings, Inc. - Contents herein do not constitute a warranty.