

SPEC SHEET

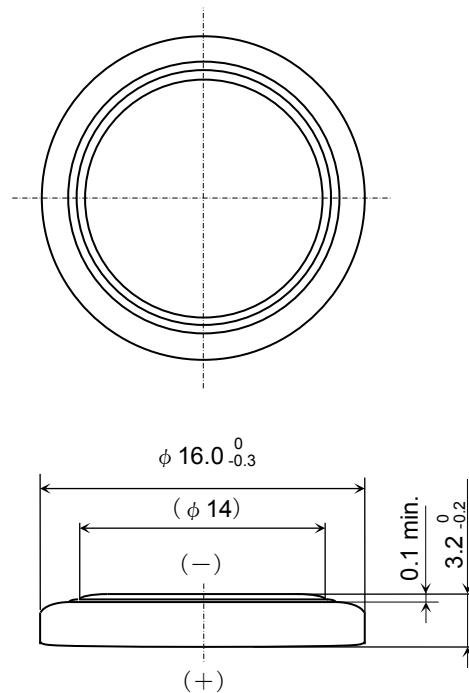
■ Specifications

Nominal Voltage	3.0 V
Nominal Capacity (*1)	140 mAh
Standard Discharge Current	0.2 mA
Typical Weight	1.9 g

- (*1) Discharge condition: 20°C , End Voltage 2.0 V , 15 k ohm continuance

■ Dimensions

Diameter	16.0 mm
Height	3.2 mm



■ Applications

- Electronic Watch or Clock
- Electronic Calculator
- Memory Back-up Power Source for SRAM or Real Time Clock (RTC)