

INTRODUCTION

Unlike a traditional light fixture which has a single point of illumination, the MPI creates five points of light, all from your existing light fixture!

These 5 points spread light to all corners of the room, filling the entire space and reducing shadows caused by single point illumination.

This system installs in minutes and is powered by a standard light socket, eliminating the need to hire an electrician to properly light large spaces like a garage, attic, or basement.

INSTRUCTIONS

IMPORTANT

We have provided many important safety messages in this manual and on your appliance. Always read and obey all safety messages.



This is a safety alert symbol.

This symbol alerts you to potential hazards that can hurt you and others.

PARTS (included)

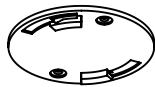
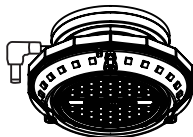
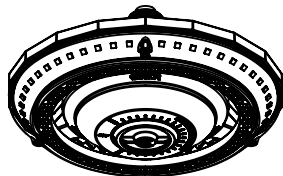
1x Main Hub Light

4x Pod Lights

4x Ceiling Plates

8x Screws

8x Anchors



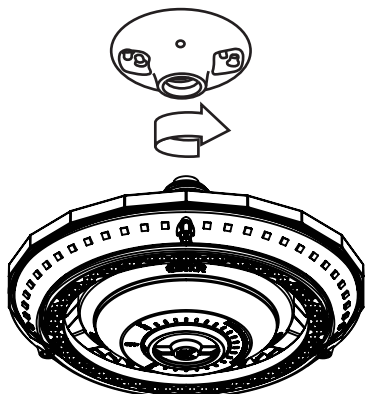
TOOLS

Required: Drill, Screw Driver, Pen/Pencil, Ladder

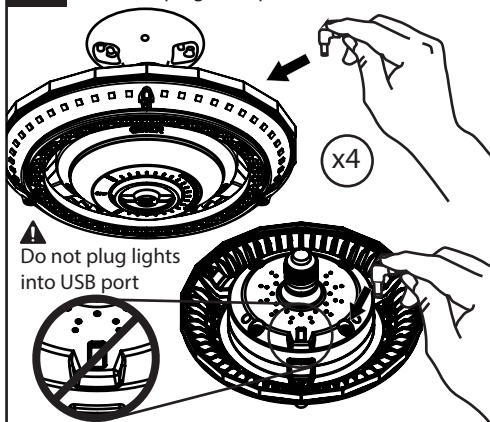


QUESTIONS? Before returning to your retailer, call our customer service department at 704-508-1031, Monday - Friday 8 a.m. - 5 p.m. ET, or email us at info@StrikerConcepts.com

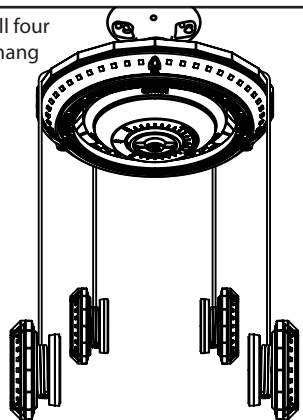
- 1**
- Ensure light switch is OFF
 - Screw MPI Light into lamp holder



- 2**
- Plug in all Pod lights. Feel for ROUND ports and stick plugs into ports



- 3**
- Let all four Pods hang

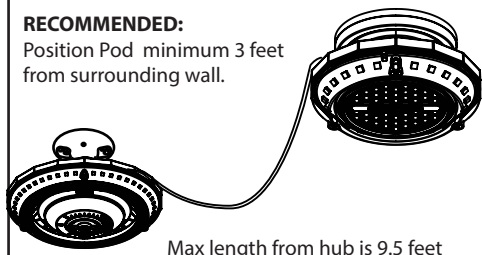


CAUTION: Be careful not to let the Pods fall to the ground

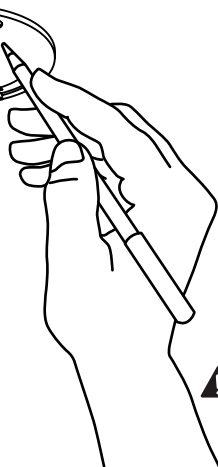
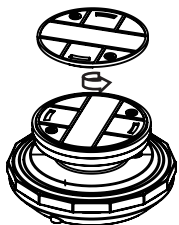
- 4**
- Position the first light in the desired area.
 - Position ladder in that location
 - Go up ladder with Pod. Be careful
 - Find exact desired location on ceiling

RECOMMENDED:

Position Pod minimum 3 feet from surrounding wall.



- 5**
- Unscrew the ceiling plate counter-clockwise from the Pod
 - Place plate on ceiling and mark holes



- (5a) FINISHED CEILING:**
- Drill hole using 3/16 (5mm) drill bit
 - Insert supplied anchors into hole
 - If you hit a joists don't use anchors

- (5b) JOISTS:**
- Position plate and screw screws directly into joists.
 - Do not use anchors

OTHER MOUNTING LOCATIONS

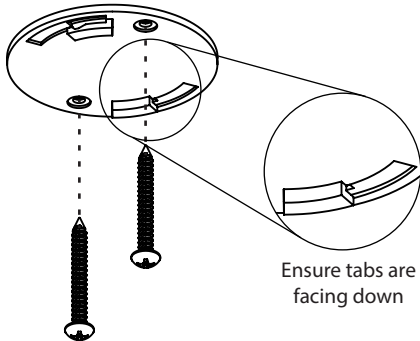
Use discretion to mount to other surfaces such as shelving, grid rack etc

WARNING: A poorly mounted light could fall, causing damage to car/object/person. Mount securely or hire a professional. Striker is not responsible for improper installation

6

- Position plate and drive screws into drywall anchors or joists
- Lightly seat screws with a screw driver or drill.

⚠ Do not overtighten



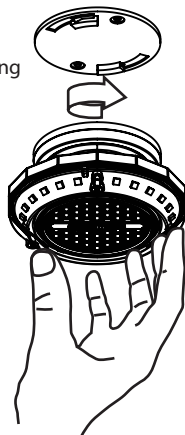
7

ATTACH POD:

- Position Pod light over ceiling plate and rotate clockwise, until locked in place.

TO REMOVE POD:

- Press firmly up on the Pod
- Rotate counter-clockwise



8

- Tighten cable by rotating Pod counter-clockwise

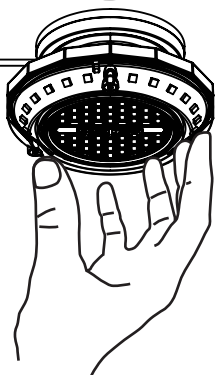


⚠ DO NOT OVERTIGHTEN CABLE:

Don't put undue pressure on main unit or light socket

REPEAT 4-8

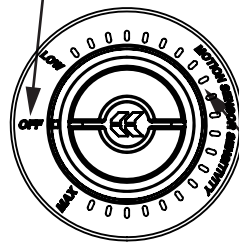
For additional Pods.
Make sure not to cross Pod cables.



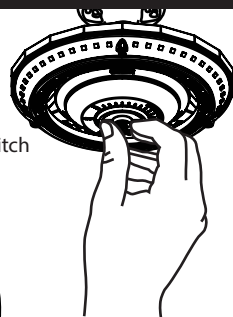
ADJUSTING MOTION SENSOR

Set motion sensor to desired sensitivity or leave off if using like a light bulb.

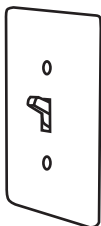
OFF: Use the light switch to turn light on/off



LOW-MAX: Twist clockwise to increase the sensitivity of the motion sensor.



2 HOUR MOTION SENSOR OVERRIDE



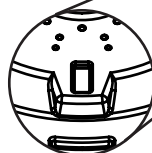
- With the Motion Sensor ON and Light ON
- Turn the light switch OFF (slight pause), ON (slight pause), OFF (slight pause), ON within 5 seconds
- Lights stay on for 2 hours (disables motion sensor)
- After 2 hours the motion sensor functions as normal

POWERING EXTERNAL CAMERA

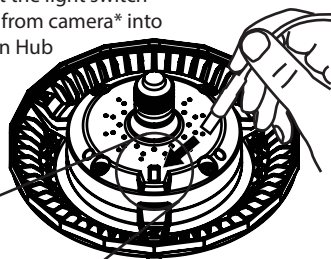
- Turn light off at the light switch
- Plug USB plug from camera* into USB port of Main Hub
- Turn light on



*not incl.



USB Port



⚠ IF LIGHT SWITCH IS OFF CAMERA WILL NOT HAVE POWER

To maintain constant power to camera, the light switch must remain in the ON position & motion sensor ON

SPECIFICATIONS

Model # 00194

Electrical Specifications: 100-240V, 50/60 Hz,
0.52A, 60 W

Base: Medium Screw (E26)

Environment: Indoor use only, dry location

Not Dimmable

Light Output:

7500 Lumens Total, 5400K color temperature

Motion Sensor:

Adjustable 360° motion detection

Motion Sensor Modes: Off, Min-Max sensitivity

Motion Sensor Timer: 2 min

USB Port Output: 5V 1.2A

Hub Dimensions:

7.6" x 7.5" x 4.25" (193mm x 191mm x 108mm)

Weight: 1.1 lb (500g)

Pod Dimensions:

4.1" x 3.9" x 2" (103mm x 100mm x 51mm)

Weight: 0.44 lb (200g)

**CHECK OUT MORE COOL STUFF AT
STRIKERCONCEPTS.COM**



TRILIGHT SHOPLIGHT



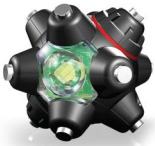
MOBILE TASK LIGHT



GARAGE PARKING SENSOR



FLEXIT LIGHT



LIGHT MINE PRO



B.A.M.F.F.



ILLUMIDOME



FLEXIT HEADLAMP

LOVING YOUR NEW STRIKER PRODUCT?



LEAVE A REVIEW

Let the world know how much you love your new light on your favorite retail website, Google, @StrikerConcepts or StrikerConcepts.com

NOT SO HAPPY?

We want to hear from you. Let our world class customer service team take care of you.

CALL 704-508-1031 or EMAIL info@StrikerConcepts.com

WARRANTY

3 Year manufacturers warranty

For warranty claims email warranty@StrikerConcepts.com

or call 704-508-1031

STRIKER CONCEPTS

StrikerConcepts.com

Troutman, NC

1-704-508-1031

info@StrikerConcepts.com



Use in dry
locations only



Not
Dimmable